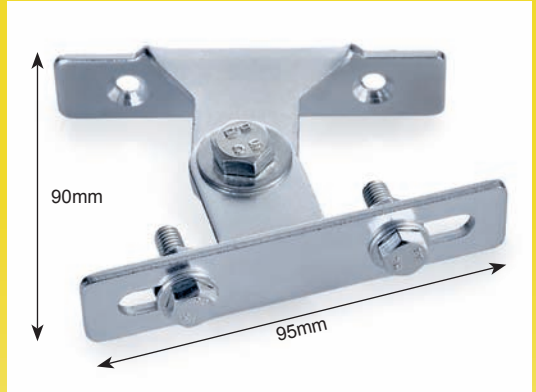
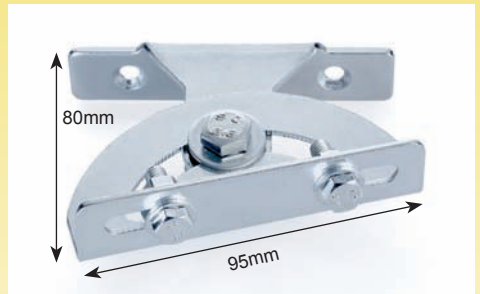


## KRP1



Swivel bracket to carry one 10W LED floodlight, 150W / 500W enclosed floodlight  
Wall mounted  
Supplied with fixings  
Finish: Zinc Plated

## KRP1SM



Swivel bracket to carry one 10W LED floodlight, 150W / 500W enclosed floodlight -  
(positioned closer to wall than the KRP1)  
Wall mounted  
Supplied with fixings  
Finish: Zinc Plated